**VEHICLE TYPE**

VOLVO-MAN-MERCEDES-SCANIA-IVECO-FORD

TRANSMISSION CODE

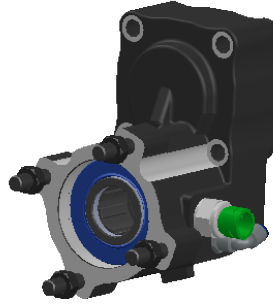
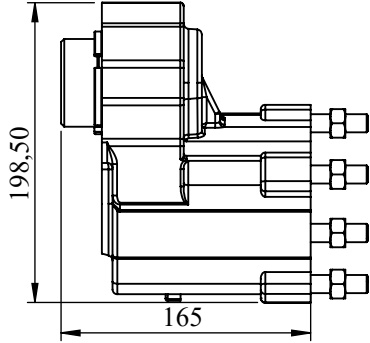
This tail-mounted PTO transmission has one input and one output, each with a different axis. It is mounted on the main transmission. The PTO gear proportionally transmits the power from the main transmission to the output through the gears within the transmission.

The equipment output is compatible with ISO 4-bolt pumps. Optionally, pto engaged/disengaged sensor, UNI(3 bolt) and couplings can be fitted. Activation/deactivation is achieved via a pneumatic control mechanism.

HİDROLİK POMPA ve ARA ŞANZİMAN PTO İMALAT
SAN.LTD.ŞTİ.

AOS. 1. OSB. Erkunt Cad. No: 6 Sincan / ANKARA
Tel.+90 312 267 39 71-Fax +90 312 267 38 72
info@kozmaksan.com.tr

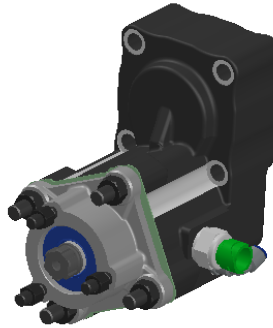
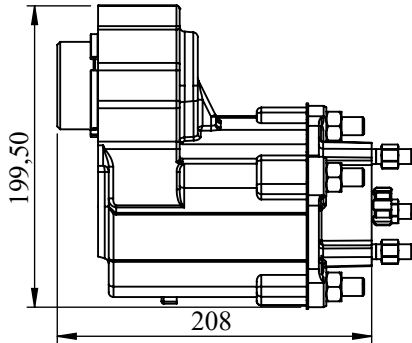
Website: www.kozmaksan.com.tr

KZ.25 DIMENSIONS AND DETAILS WITH KITS
OUTPUT TYPE
DIMENSIONS
TECHNICAL DETAILS

CONNECTION TYPE

ISO (4 BOLT)

Kw-Nm VALUES

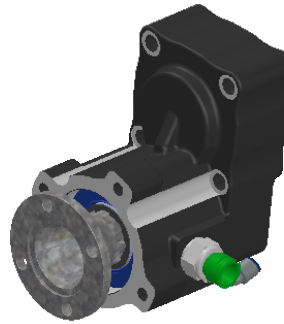
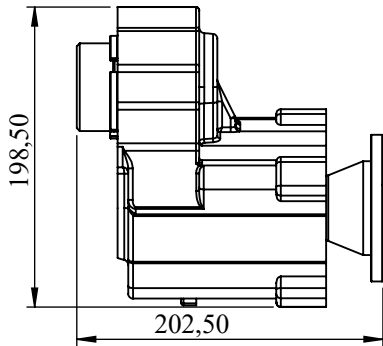
45 Kw-430 Nm


CONNECTION TYPE

ISO(4 BOLT) --> UNI (3 BOLT)

Kw-Nm VALUES

45 Kw-430 Nm


CONNECTION TYPE

ISO (4 BOLT) --> COUPLING

Kw-Nm VALUES

45 Kw-430 Nm

KITS DETAILS
KIT.52.01.KF (for UNI)
C06-247 WITH CONNECTION (for COUPLING)
C06-247-1 WITH CONNECTION (for COUPLING)
